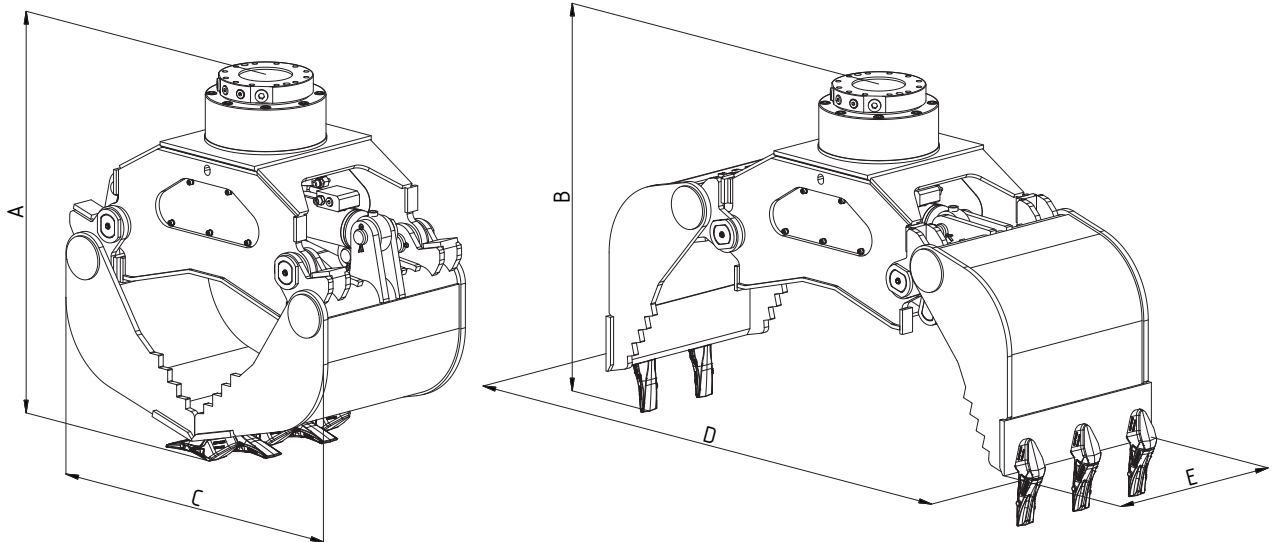


Series|MP05 - 3

Excavator weight class: 1 - 15 t
Universal grab



Technical data		MP05	MP1	MP1.5	MP2	MP3
Excavator weight class	t	1 - 2	2 - 5	4-7	5 - 9	9 - 15
Capacity	l	37	50	90	120	270
Max. load bearing capacity of grab	t	1	1	1.5	2	4
Max. rotary motor load	t	5	5	5	10	15
Weight without adapter plate	kg	151	175	270	440	830
Dimension A	mm	670	715	900	1020	1210
Dimension B	mm	710	740	920	1080	1230
Dimension C	mm	610	610	800	900	1150
Dimension D	mm	950	1020	1330	1530	1940
Cutting width E	mm	360	400	450	500	660
Number of teeth	Pieces	3	3	3	5	5
Max. clamping force	kN	18	20	28	37	60
Max. grip operating pressure	bar	250	250	250	300	300
Max. slewing operating pressure	bar	250	250	250	250	250
Slewing connections		M18 x 1.5	M18 x 1.5	M18x1.5	G1/2	G1/2

As of: 03/2015 • Rev.: J • Subject to technical modifications

Note: When positioning the grab, sorting or scissor hydraulics are required. (1 circuit for positioning the grab (bucket cylinder), 1 circuit for gripping, 1 circuit for slewing)



|Use: Mobile and chain excavators

Multi-use grab for a wide range of applications for handling different materials such as stone-setting tasks, sorting construction scrap, loading and sorting recycling materials, earth excavation and loading course bulk goods, loading bushes and shrubs.

Fig.: MP0.5

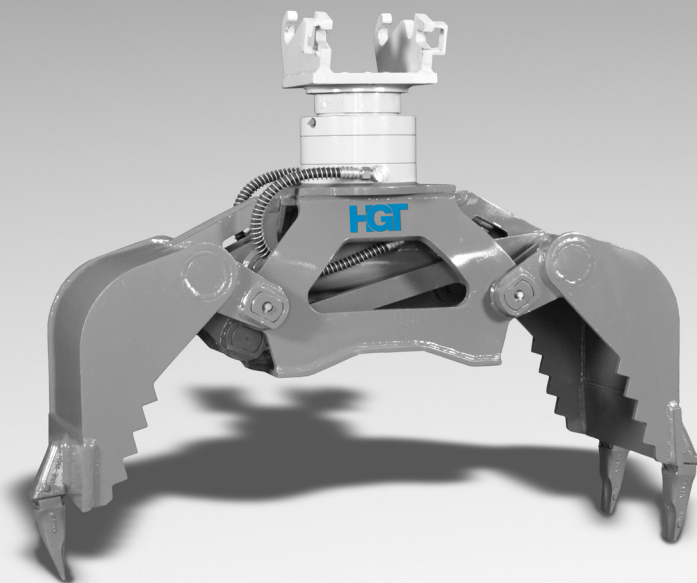


Fig.: MP1.5

|Design features

- Continuously rotatable hydraulic compact rotary motor
- flat, compact design - Grip hydraulic lines and synchronized control run protected in the arm
- MP2 and MP3 with end position dampening in the lifting cylinder
- MP1, MP2 and MP3 with locking valve in the cylinders. This prevents the grip from the opening unintentionally
- MP1, MP2 and MP3 with mechanical opening and closing stops
- Side part, floor panel and base edges of the shells made of high-strength fine-grain steel (HB 450)
- MP05 and MP1 with screw-on tooth/ MP2 and MP3 with ESCO bucket tooth
- Hanging grab available

|Available accessories and equipment

- Hose set, adapter plates and mounting for all known excavator manufacturers
- 6/2-way valve without hydraulic circuit
- Special shells according to customer specifications
- Hanging grab available
- Additional special equipment upon request